

- **Rack mounting**
75 Watts total
up to 3 outputs
- **Universal input : 85....265 Vac-dc**
switching mode power supply
- **Fully protected**
short circuit
overload
thermal
- **Fully isolated**
between each outputs



Industrial rack mounted medium power supply. Fully protected, available with 1 to 3 isolated outputs.

Description:

- Switching power supply allowing high power density without heating due to its high efficiency of electronic.
- 1 to 3 isolated outputs allowing coupling the outputs in series or parallel, thereby obtaining exotic or symmetric output voltage, or to increase the output current.
- 19" rack mounting. 3U 8TE reference : **ALPK**
(DIN 41612 type H11 or H15)
- protection rating: IP20
- internal silicone encapsulation, conformal coating, insensitive to humidity and dust, EMC shields on the 6 sides, resistant to chocks and vibrations.
- Green LED indicator for main voltage
- fully protected : overload, permanent short circuits, thermal (output power limitation)
- Natural convection cooling
- Embedded EMC filter according to EN55022 class A
- output voltage : 5V, 12V, 15V, 24V, 30V, 48V, 72V, ...
or symmetrical : +/- 5V, +/- 12V, +/- 15V, +/- 24V, ...
(specific outputs on request)

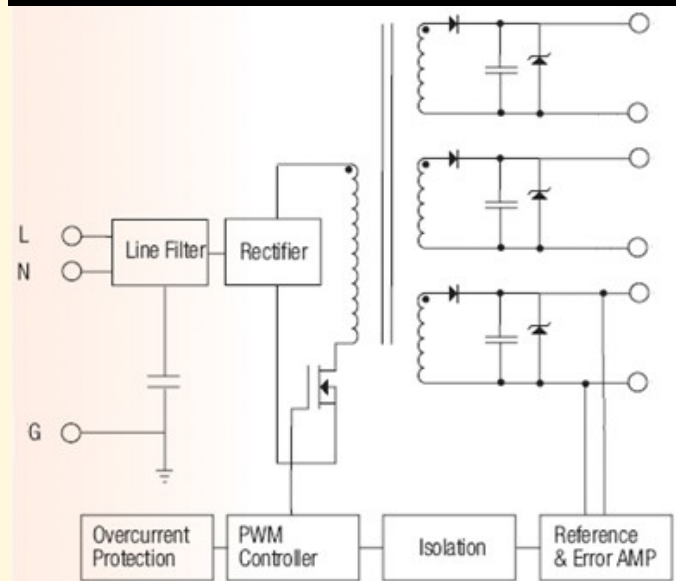
Technical specifications :

- Typical output voltage accuracy: +/-2%.
- Line Regulation (change in input): +/-0.5%.
- Output regulation (output current change) : +/-1%.
- Noise and ripple : < 100 mVpp (20 MHz bandwidth).
- Thermal stability: +/-0.02% / °C.
- Holding time of the output: 50 ms typical (230 Vac).
- Temperature from -20 °C to +65 °C (standard version).
- Temperature derating: 2.5% / °C above 50 °C.
- Output current limitation: 110% of nominal.
- Reliability : MTBF of 300 000 hours at 25 °C.

Implementation and installation recommendations :

- Primary protection with fuse recommended (slow blow 3A).
- Be careful at positioning to ensure proper ventilation.

Synoptic for 1, 2, 3 outputs



Version and order code:

[Request a quote](#)

ALPK-N-U-i : 3U Eurocard format 8TE (40 mm) for 19" rack mounting.

- **N** : outputs number. 1 to 3
- **U** : output voltage : 5V, 9V, 12V, 15V, 24V
- **i** : output current : according to voltage output
(25 watts nominal per output. Up to 75 watts with coupling)

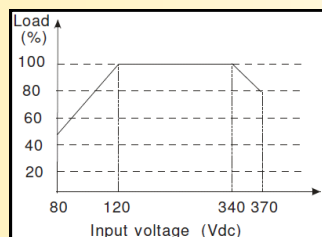
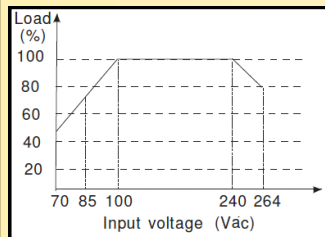
Power supply

Input voltage 85...265VAC / 100...370VDC
 Input frequency 47...440Hz
 typical efficiency 80%
 Inrush current 15A typical

Output

Output accuracy ±2% max.
 Regulation ±2% max. (full loaded)
 Ripple < 1% max (limited to 20MHz)
 Continuous short circuit protection, automatic restart.
 Overload protection 110 % typ.
 Switching frequency 60 kHz typ.
 Output hold time 50 ms typical.

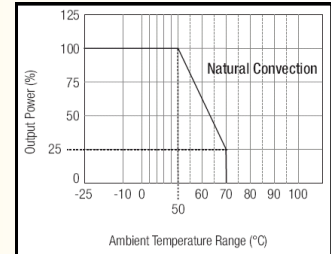
Output power characteristics as a function of the input voltage



Environment

Operating temperature -10°C to 60°C (natural convection)
 Storage temperature -20°C to 105°C
 Thermal protection 100°C internal
 Humidity 85 % (non condensing)
 Temperature coefficient +/- 0.02%/°C typical
 Insulation resistance 100 MΩ min.
 Dielectric strength 4000VAC (input / output)
 weight 250g.
 MTBF (+25°C) 300 000 hours

Output power characteristics vs ambient temperature



Electromagnetic compatibility 2014/30/UE / Low Voltage Directive 2014/35/UE

Immunity standard for industrial environments EN 61000-6-2		Emission standard for industrial environments EN 61000-6-4
EN 61000-4-2 ESD	EN 61000-4-8 AC MF	EN 55011 group 1 class A
EN 61000-4-3 RF	EN 61000-4-9 pulse MF	
EN 61000-4-4 EFT	EN 61000-4-11 AC dips	
EN 61000-4-5 CWG	EN 61000-4-12 ring wave	
EN 61000-4-6 RF	EN 61000-4-29 DC dips	



WIRING AND OUTLINE DIMENSIONS

Connectors type, pinout and output voltage on request

